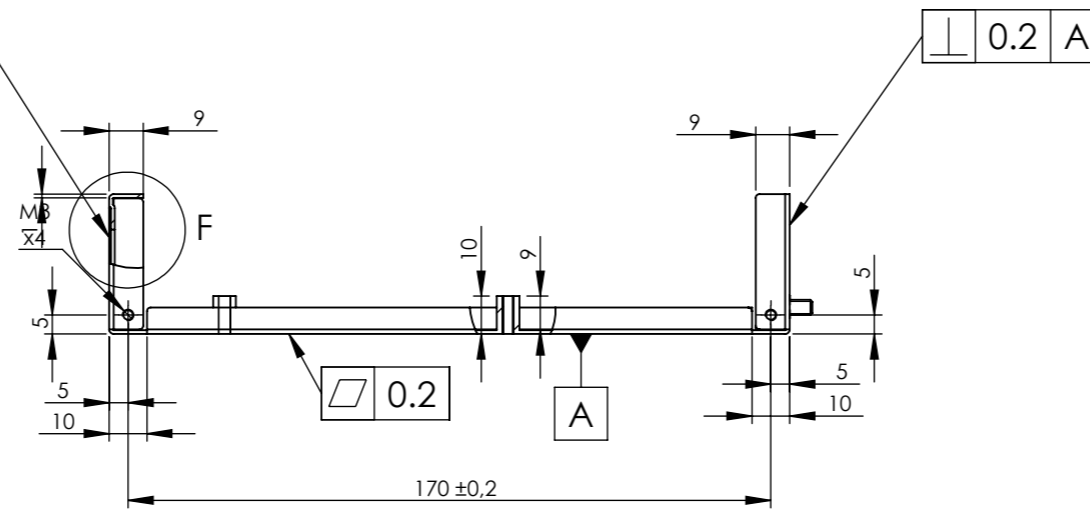
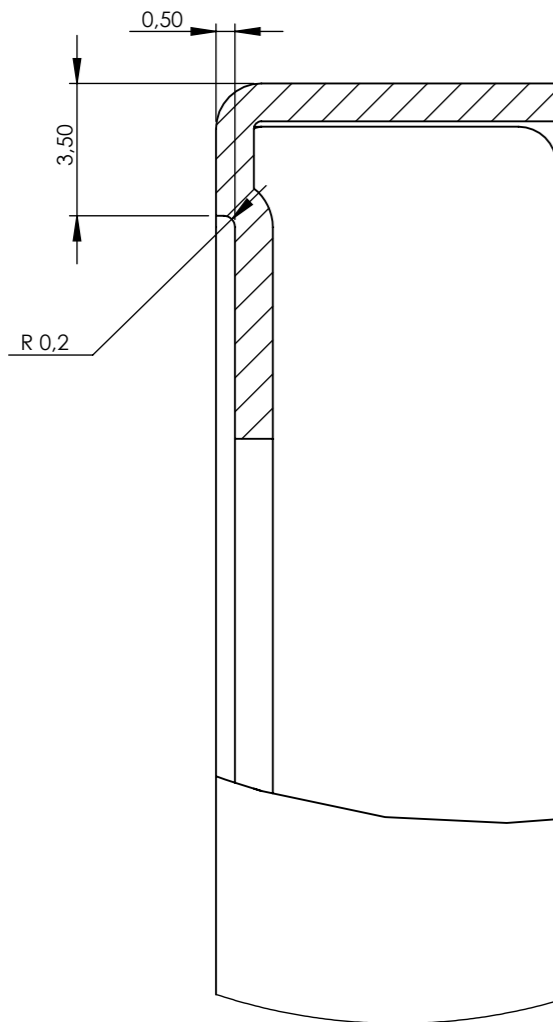
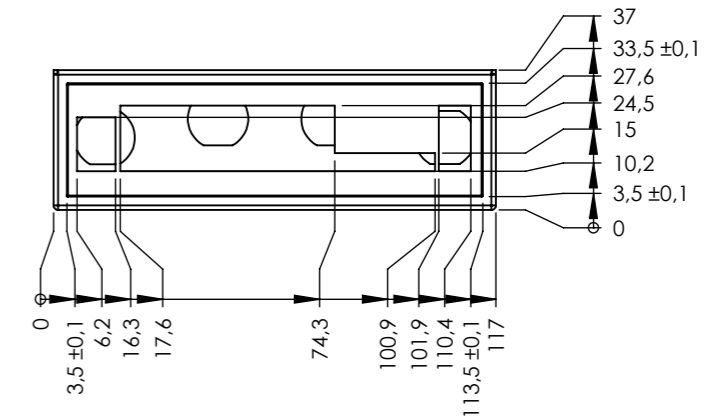


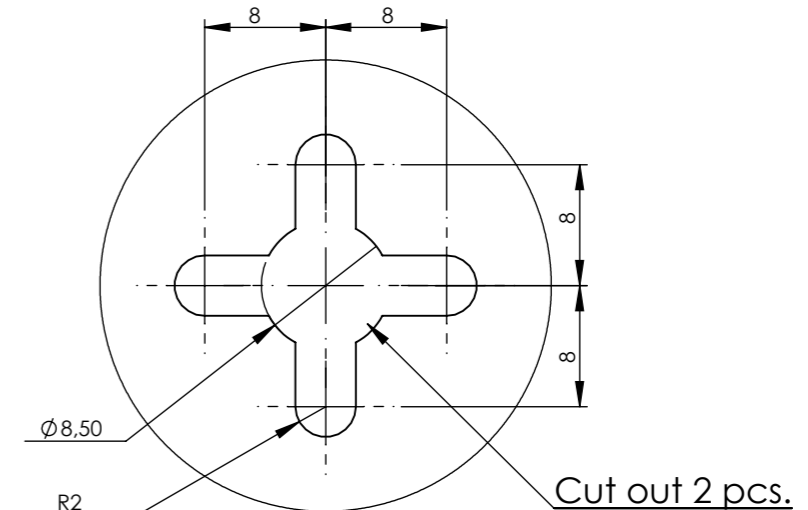
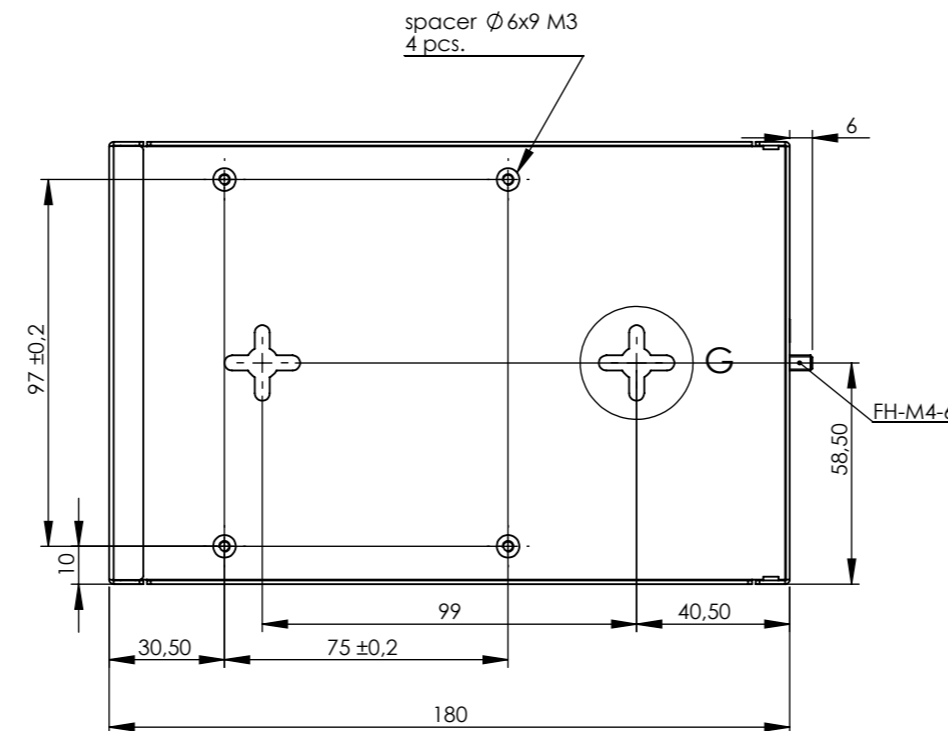
0.2 A



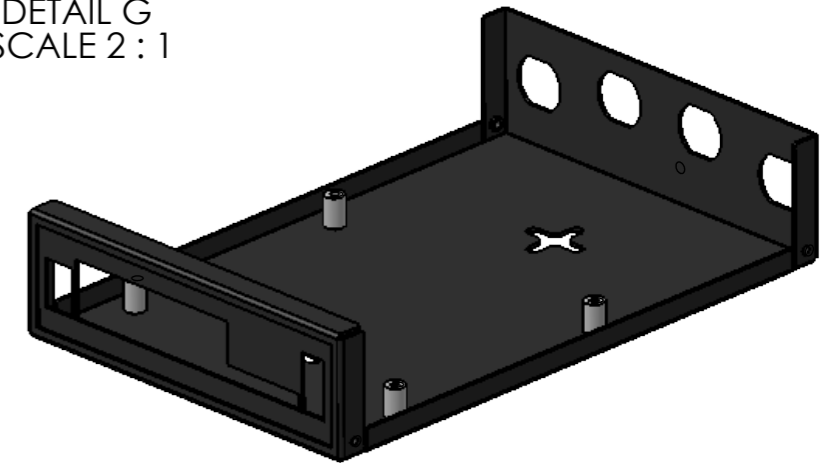
0.2 A



DETAIL F
SCALE 5 : 1



DETAIL G
SCALE 2 : 1



1. Unspecified R ≤ 0.2
 2. Unspecified tolerances: DIN7168/FINE except p.3:
 External: -IT12
 Internal: +IT12
 Others: ±IT12/2
 3. Hole coordinates with unspecified tolerances
 Hole pattern $\Phi \pm 0.2$ for all coordinative dim-s;
 countersunks - $\Phi \pm 0.1$

Tolerance		
Nominal	>	≤
6	30	0.1
30	120	0.2
120	315	0.3
315	1000	0.4
1000	2000	0.6
		1.0

Do not scale drawing			Finish: black anodizing	Scale 1:2	Mass:
			Date 12.01.2017	Name K. Reimats	Material: AlMg3 5754
		Drawn.		Description: RB711/411 base	
		Check.		Drawing code: RB711-411 base R2	
		Approv.		Part ID:	
				A3	
				Printed: 12.01.2017	